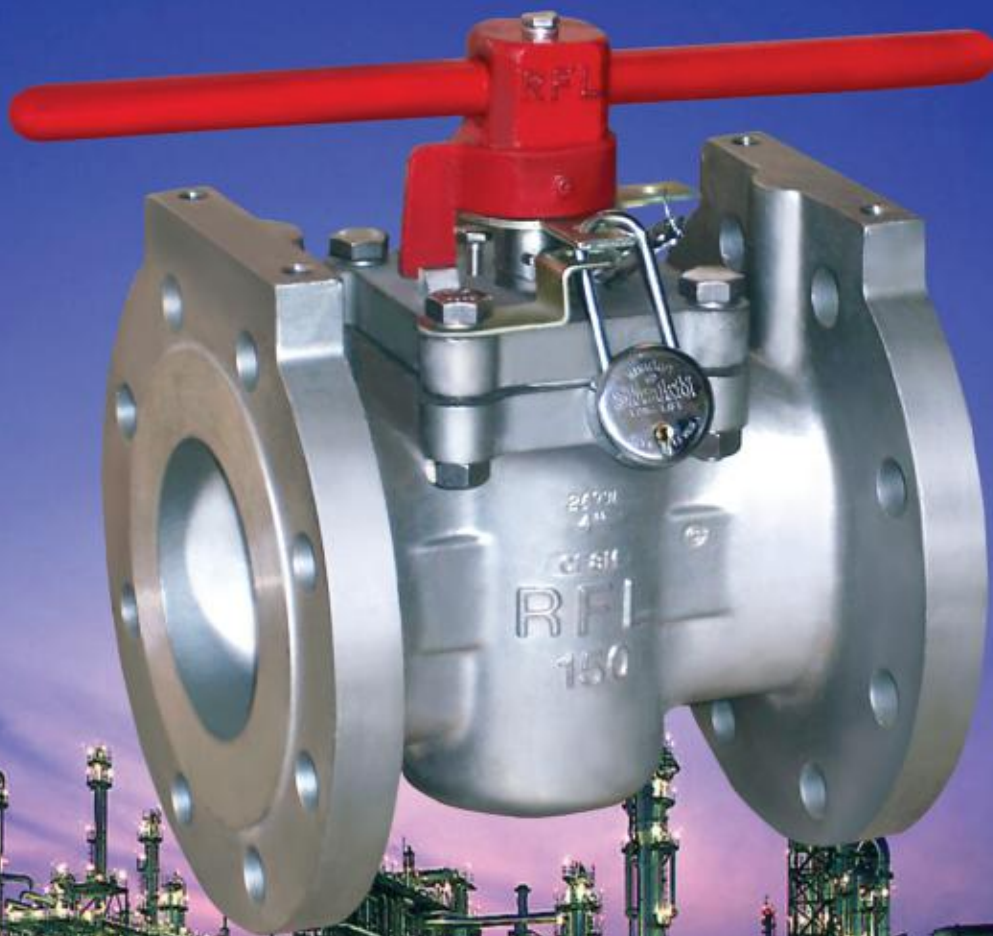




# RASAI

FLOW LINES PVT LTD

*matchless* product since 1981



# Introduction

RFL established 1980 manufacturing Sleeved Plug Valve ( Non lubricated ), Lined Plug Valve, Lined Ball Valve, Lined check Valve with PFA/ FEP procure from EI DUPONT and 'V' Notch Control Ball Valve .

## Material of construction:

Different material like WCB, WCC, LCB, CF8, CF8M, CF3M, CF3, CD4MCu, super alloy like Duplex. St. St. family - 4A, 5A, Alloy 20, Hastalloy B, Hastalloy C, CZ100, Inconel, 904L... to suit different acid and chemical and highly corrosive & erosive application.

## Standard:

We manufacture the valve with ANSI, DIN, JIS & BS Table, also tailor made Valve - Face to Face & Drilling standard (Non-Standard) Valves to satisfy the end user.

## Application:

Fertilizers, Petrochemical, Refineries, Paper & Pulp, Pharma, Heavy water plant, Nuclear application, Atomic Energy, Oil & Gas, to any processing Industries ... etc .

## Pressure class:

Our Pressure class 125 # , 150# , 300# , 600# , 800# & 1500# , DIN PN16, PN40 & above as per PED (CE) norms.

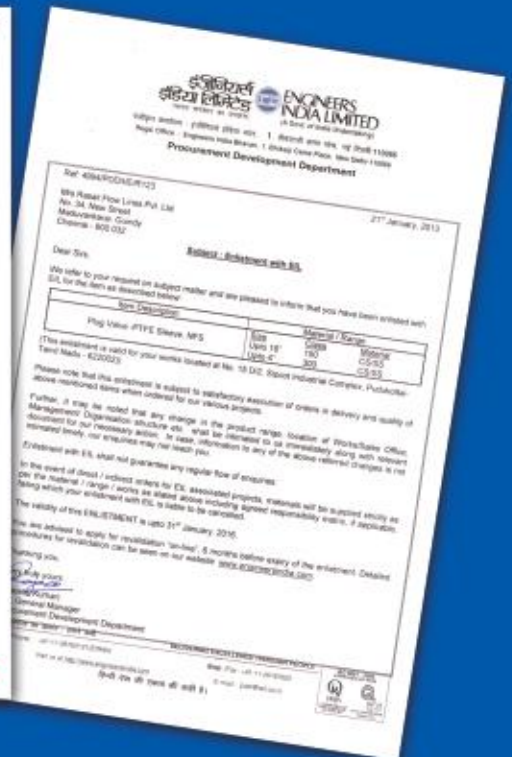
## Special design:

CAGE type, 3 way, 4 way and fully Jacketed & Partially Jacketed not only for Sleeved Plug Valve also for Lined Plug Valve too.

## Regarding Lined Ball Valve:

We introduce Super seat which give cushion effect to the ball the result it work for longer life, the check valve a unique design working Horizontal as well Vertical by puppet - the slope (taper) never lost the shape like Ball type.

# C . E . R . T . I . F . I . C . A . T . E



## Store

Semi finished stock available all times in store to facilitate in time supply



## High Accuracy CNC Machining



## Lined Valves

Lined Component controlled by QC dept., to 10000 V –

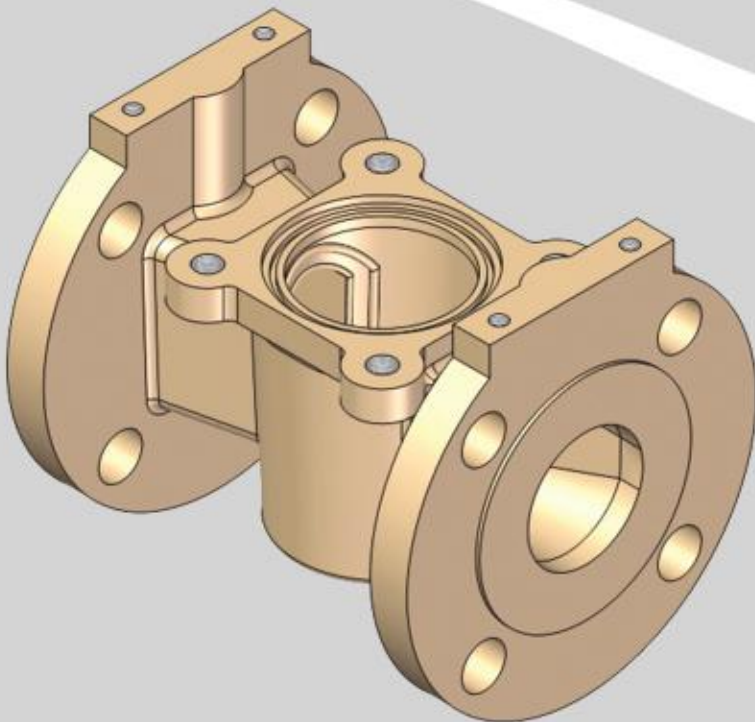
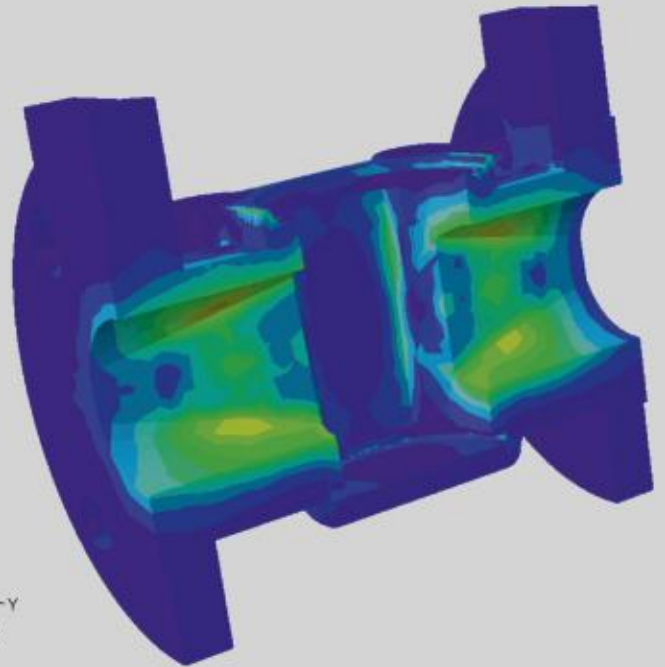
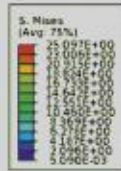


# QC

RFL takes at most care  
to inspect each component  
100% in house



# FEA design capability



Valve body  
3D design

## Sleeved Plug Valve



Sleeved Plug Valve Non standard face to face dimension to replace Diaphragm valve which is saunders "A" design.

### Design specification :

Class 150# CD4mcu SPV 12", Face to Face & Drilling as per Diaphragm design supplied to 3rd largest Phosphoric Acid plant in Senegal

## Lined Ball Valve



8" PFA Lined Trunion Mounted Class 300#

Specification :  
WCB with PFA Lined

## Lined Plug Valve



PFA Lined plug valves  
class 150# 8 inches

## Lined Check Valve



## V Notch Control Ball Valve



# Automated RFL Valves



We supply our valves with Pneumatic & Electrically operated Actuators & Accessories as per customer request. All Actuator valves including 'V' Notch



**RASAII**  
FLOW LINES PVT LTD

M/s. RASAII FLOW LINES PVT LTD,

TS No: Ferndale, 1st Avenue, RWD Layout, Near Gayathri Nagar, Medavakkam, Chennai - 600100.

**Factory :** 15D/2, Sipcot Industrial Complex, Pudukottai - 622002, TN, INDIA

**Tel :** +91 44 22447285 / 22457658 / 22551755 **Fax :** +91 44 22447616

**E-mail :** admin@rflvalves.com **url :** www.rflexports.com

USA - Sales & Distribution Office :

**Super Auto Forge Inc.,**

42400, Grand River Avenue, Suite 205, Novi, MI, USA - 48375

Phone: 248 344 9988 E-mail : valves@superautoforge.net